

1A: Mounting with tape (preferred method)

- Mount on clean, dry, smooth surface.
- Clean wall and wallplate back surface with enclosed alcohol wipe.
- Apply tape to each side of the back of the wallplate. **(Do not apply tape to the center of wallplate)** Press tape firmly in place on the wall. **(Leave a distance of 6" (152 mm) clearance from top of wall plate to any object on the wall.)**
- Attach the wallplate to the desired location on the wall.
- Apply pressure to all areas of the wallplate to ensure contact and adhesion.
- Screws may also be used in addition to the tape.
- Mounting on grout lines may adversely affect tape adhesion.
- Tape should cure for 24 hours before mounting bottle.

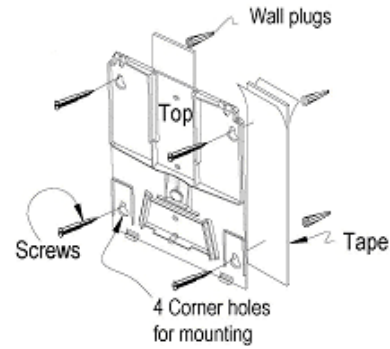


Figure 1
Mounting Wallplate

1B: Mounting with screws

- Use the wallplate as a template. Mark the 4 outside hole locations. Be sure the wallplate is level.
 - For drywall, use appropriate fasteners.
 - For concrete, use a 3/16" (4.5mm) drill bit to drill holes for the wall anchors supplied. Insert the wall anchors.
 - For wood, use a 1/8" (3.0 mm) drill bit to drill pilot holes.
 - Attach the wallplate with the four 1" (25mm) long screws.
- To lock down the dispenser drill the hole located in the middle top of the wallplate (just below the TOP engraving) with a 1/8" drill bit.

2. Battery Installation:

- Dispenser requires 4-"D" size batteries, alkaline preferred, (not provided).
- Insert batteries into dispenser using + sign as guide. If installed properly the red LED on the front of unit will blink. If this fails to happen try removing the batteries, checking proper orientation and re-installing, making sure batteries are contacting terminals. If batteries are installed backwards, dispenser will cycle continuously with motor running in reverse direction. Remove batteries immediately and reinstall correctly.
- In some instances it may be necessary to clean terminals with a cloth or alcohol wipe. This will help ensure good contact between batteries and dispenser terminals. -
- When batteries become low the red LED will begin blinking continuously. Batteries should be changed as soon as convenient (within 3 to 6 bottles of soap) to continue uninterrupted functioning of the dispenser.



Figure 2-
Correct Battery Installation

4: Raise lid of dispenser.

- Depress center of lid with your index finger to disengage locking tabs.
- Pull lid forward with other hand.
- Swing Lid up to allow placement of bottle.
- To close the lid, lower and push back in place.



Figure 4
Opening Dispenser Lid

3: Installing dispenser on wallplate:

- Line up dispenser with wallplate such that bottom of dispenser is approximately 1/2" above bottom of wallplate.
- Push dispenser against the wallplate.
- Using your thumbs push dispenser back and down to lock into proper position on wallplate. Hands must be in exactly the position shown to lock correctly.
- If the dispenser is to be tamperproof, install the 1.5" screw through the top center hole



Figure 3
Installing Dispenser to Wallplate



5: Inserting bottle:

- Insert the bottle by aligning the bottle pump over the front edge of the opening. Push the bottle back against the dispenser back wall to lock it in place.
- To remove the bottle grasp the bottom of the bottle and pull forward until it stops, then lift up and remove.

6: Ready for Use:

- Remove and discard sticker covering sensors
- Operate dispenser by placing hand under sensors. Unit may require several operations to dispense product after bottle installation.



Figure 5
Inserting Bottle



Figure 6.
Remove Sticker Ready for Use

7: Maintenance Instructions:

- The dispenser should be removed from the wall and washed thoroughly with warm water 4 times a year to ensure proper working order.
- When cleaning the unit, batteries must be removed and extreme care taken not to bring any electrical/electronic components into contact with water.

Tips & Hints:

- For best results, dispenser should be mounted a minimum of 12” above counters, and 4” below any overhanging surface.
- Avoid mounting unit in direct sunlight as this can interfere with sensors that operate the dispenser.

NOTE: Unit must be secured to wall with screws in order for CSA hazardous area certification to be valid. Units that are attached with double-sided tape only DO NOT meet CSA requirements for hazardous areas. Hazardous areas include installations where liquid alcohol will be used with the dispenser.

Caution: Correct installation of this unit to ensure proper function and safety is the responsibility of the installer. It is the installer’s responsibility to ensure that installation of this unit complies with all applicable codes, standards and regulatory requirements.

Please completely read and understand this cautionary note and all installation/maintenance instructions before proceeding with installation.

Do not install this unit above heat sources that may cause drying of the soap or soap nozzle/outlet.

Do not install this unit where a failure of the mounting system, or dripping of soap or water from hands may cause damage to equipment or create a potential safety hazard.

When using alcohol spray, exercise extreme caution to ensure unit is located away from any potential sources of ignition, and that any over-spray will not damage surfaces under the unit.