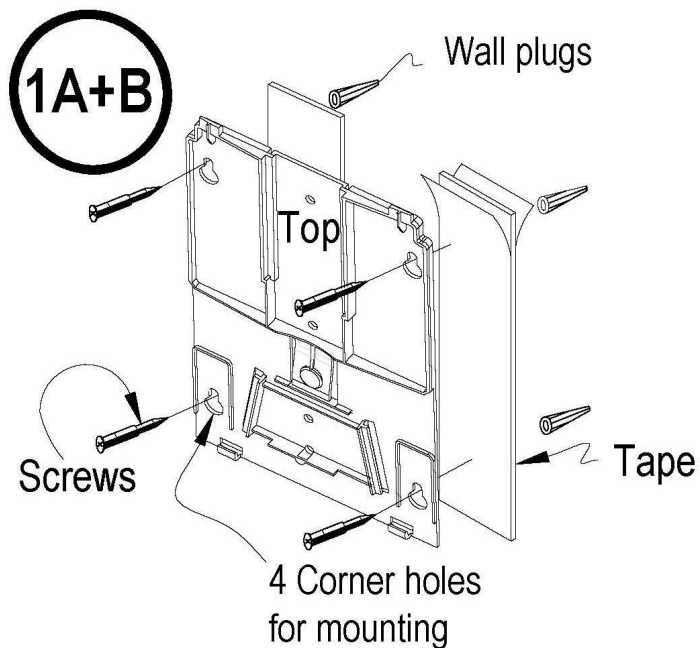


1A: Mounting with tape (preferred method)

- Mount on clean, dry, smooth surface.
- Clean wall and wallplate back surface with enclosed alcohol wipe.
- Apply tape to each side of the back of the wallplate. **(Do not apply tape to the center of wallplate)** Press tape firmly in place on the wall. **(Leave a distance of 6" (152 mm) clearance from top of wall plate to any object on the wall.)**
- Attach the wallplate to the desired location on the wall.
- Apply pressure to all areas of the wallplate to ensure contact and adhesion.
- Screws may also be used in addition to the tape.
- Mounting on grout lines may adversely affect tape adhesion.
- Tape should cure for 24 hours before mounting bottle.



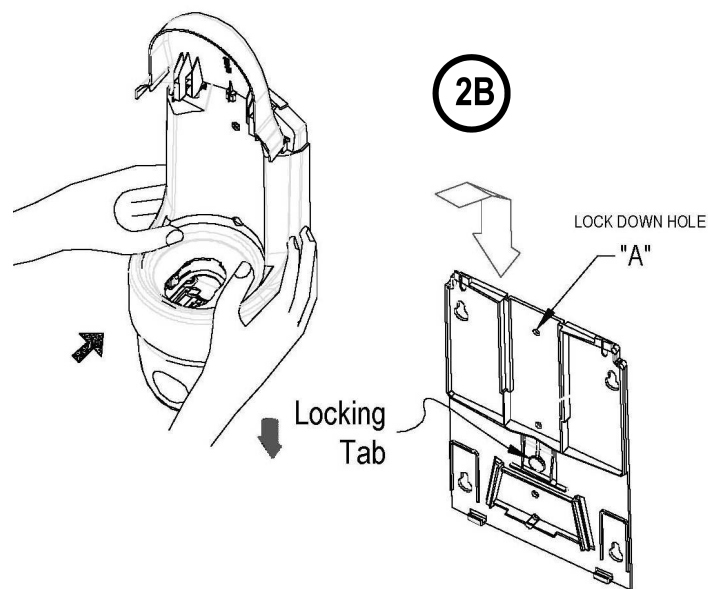
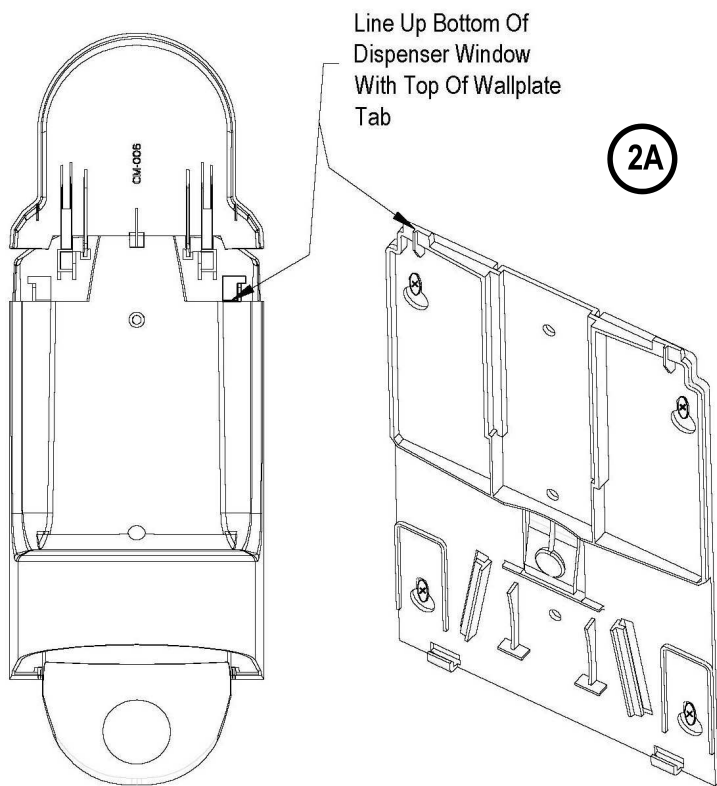
1B: Mounting with screws

- Use the wallplate as a template. Mark the 4 outside hole locations. Be sure the wallplate is level.
- For drywall, use appropriate fasteners.
- For concrete, use a 3/16" (4.5mm) drill bit to drill holes for the wall anchors supplied. Insert the wall anchors.
- For wood, use a 1/8" (3.0 mm) drill bit to drill pilot holes.
- Attach the wallplate with the four 1" (25mm) long screws.

To lock down the dispenser drill the hole located in the middle top of the wallplate (just below the TOP engraving) with a 1/8" drill bit.

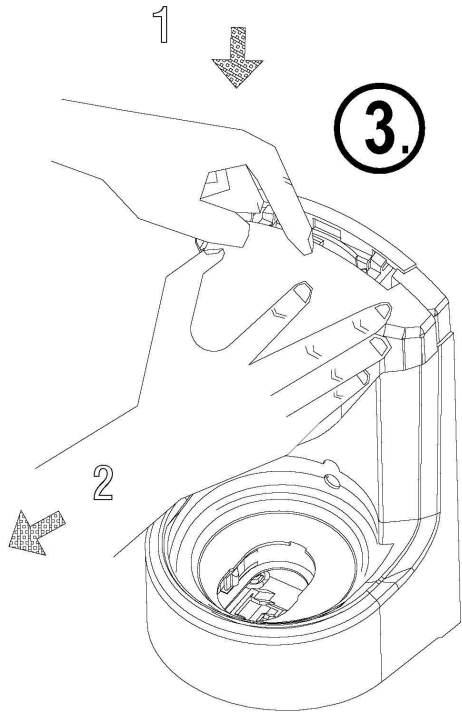
2: Installing dispenser on wallplate:

- Raise lid to see windows in dispenser body.
- Line up wallplate top tabs with the bottom edge of dispenser window. **(See detail "2A")**
- Push dispenser against the wallplate.
- Using your thumbs push dispenser back and down to lock into proper position on wallplate. **(See detail "2B")** Hands must be in exactly the position shown to lock correctly.
- If the dispenser is to be tamperproof, install the 1.5" screw through the top center hole **(see location "A")**.



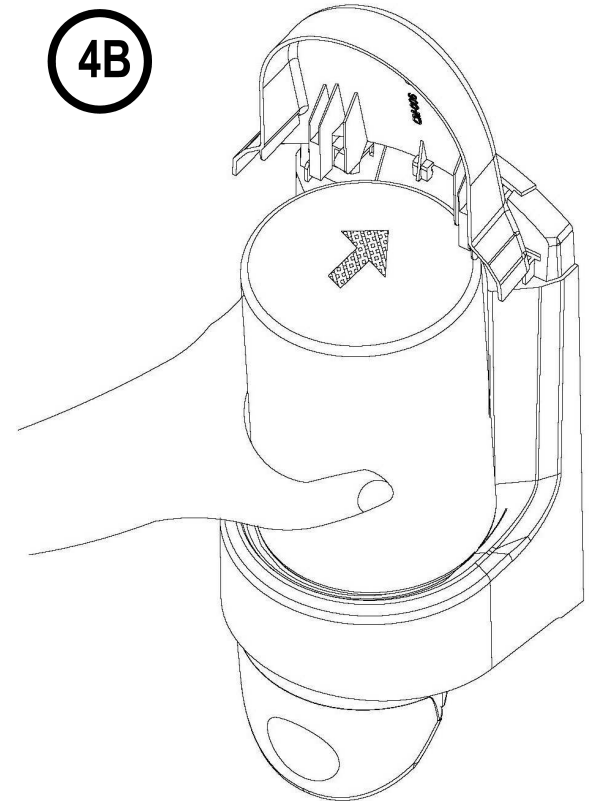
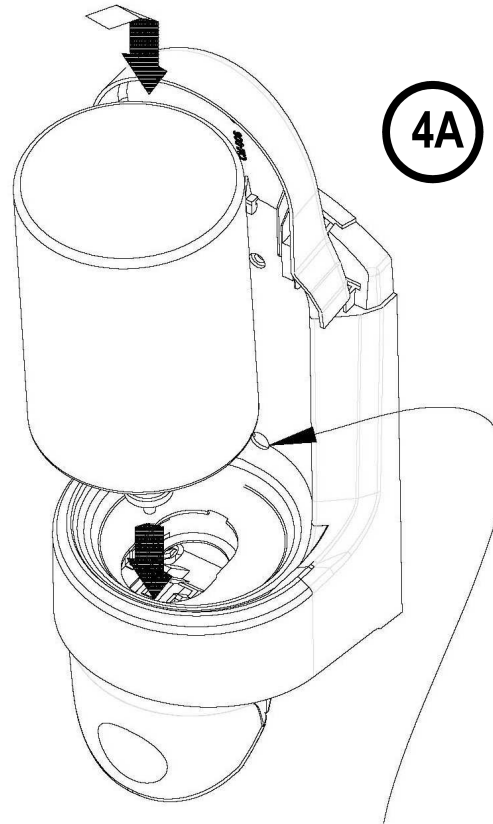
3: Raise lid of dispenser.

- Depress center of lid with your index finger to disengage locking tabs.
- Pull lid forward with other hand.
- Swing Lid up to allow placement of bottle.
- To close the lid, lower and push back in place.

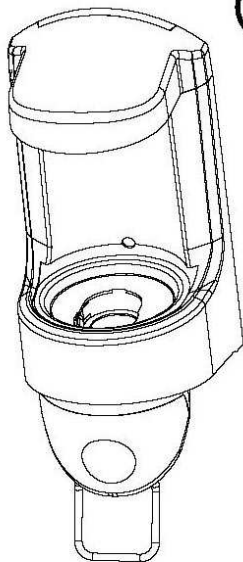


4: Inserting bottle:

- Insert the bottle by aligning the bottle pump over the front edge of the opening (See detail 4A). Push the bottle back against the dispenser back wall to lock it in place (See Detail 4B).
- To remove the bottle grasp the bottom of the bottle and pull forward until it stops, then lift up and remove.



5.



* To remove dispenser from wallplate depress locking tab through hole in center of dispenser using a pen or similar object and lift dispenser from wallplate.

5: Optional ADA push bar:

- The Dispenser is also available with an optional ADA push bar. Please contact your sales representative to order.

6: Maintenance Instructions:

- The dispenser should be removed from the wall and washed thoroughly with warm water 4 times a year to ensure proper working order.